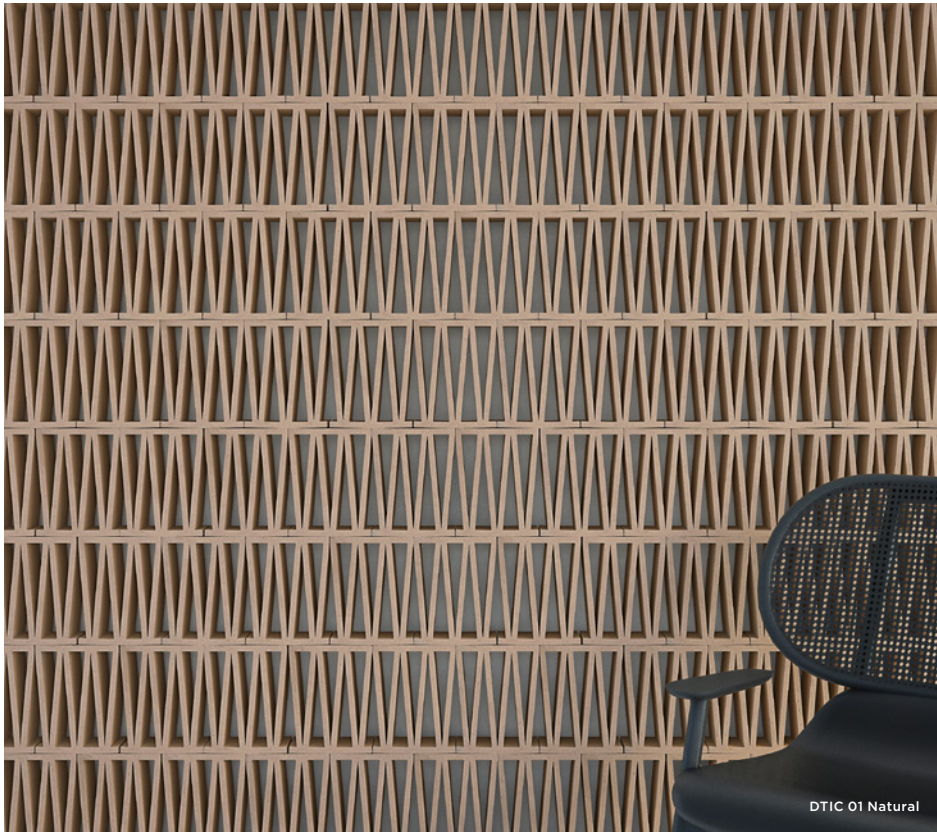


Celosia

Terracotta 3D



DTIC 01 Natural

1 Colour / 1 Finish / 1 Size

Celosia is a new take on the artisanal production process of extruding terracotta, highlighting the imperfect and tactile elements of the earth. Shapes and compositions recall the Roman numbering system creating a dynamic and unique design.

Design Patricia Urquiola

Mutina



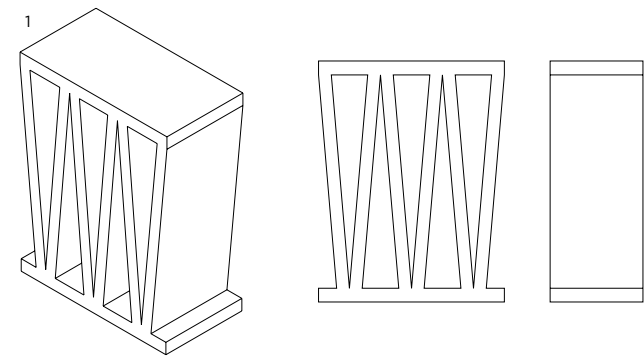
DTIC 01 Natural

Sizes



DTIC 01

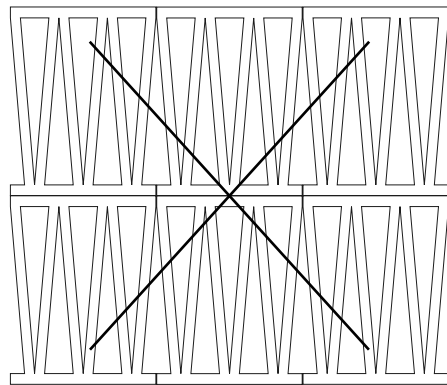
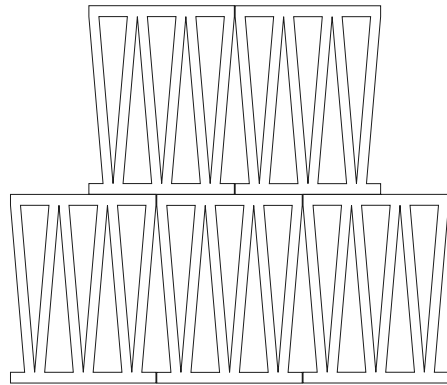
Natural



	Size (mm)	Thickness	Finish	Colour Availability
1	265 x 205 (N)	100	Natural	DTIC 01

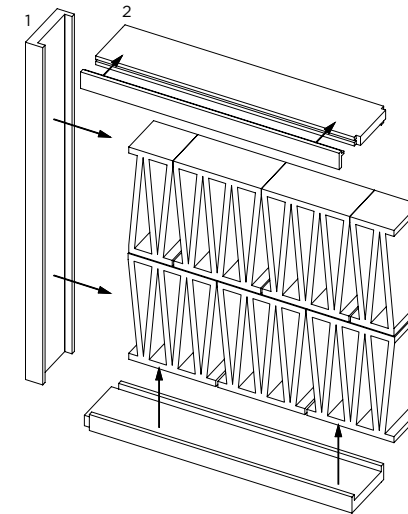
(N) Nominal size - pressed edge. Swatch colours may vary from original. Samples should be requested. Due to Celosia being an artisanal product, a tolerance of 1-3mm is expected. Celosia is suitable for use on indoor and outdoor walls with a maximum height of 4m.

Layout Options



For security reasons, only staggered installation is strictly allowed.

Special Pieces



	Size (mm)	Thickness	Finish	Colour Availability
1	Linear Profile 300 x 125	40	Natural	DTIC 01
2	Terminal Profile 300 x 125	40	Natural	DTIC 01

Switch colours may vary from original. Samples should be requested. Due to Celosia being an artisanal product, a tolerance of 1-3mm is expected.

Celosia

Technical Data

Product Type: Extruded Terracotta

Use: Walls (Internal) & Walls in moderate exposure areas (External)

Product Code: DTIC

ARTISANAL EXTRUDED PARTITION ELEMENTS.

FOR SAFETY REASONS ONLY STAGGERED INSTALLATION IS ADVISED.

DIMENSION & SURFACE QUALITY

*** Nominal Size : 20.5. x 26.5 x 10cm with 1 – 3mm tolerance**

Technical Characteristics	Industry Standards	Requirement	Actual Value
Dimensions	BS EN ISO 772-16	As declared	T2 - R2

PRODUCT QUALITY & DURABILITY

Technical Characteristics	Industry Standards	Requirement	Actual Value
Water absorption	BS EN ISO 772-21 : 2011	As declared	12.5% (typical value)
Content of active soluble salts	BS EN ISO 772-5 : 2016	As declared	S2
Freeze-thaw resistance	BS EN ISO CEN/TS 772 -22 : 2006	As declared	F1 - moderate
Determination of horizontal variable loads	D.M. 1401/2008	As declared	C2
Frost resistance	BS EN ISO 10545-12	No surface alteration	Not resistant
Reaction to fire	Based on the decision 96/603/EC and its changes	A1 _{FL} /A1	A1
Recycled content			10%

