

Eternal 55 Chevron

Engineered Vinyl



Floor: EVET 5520 Chevron Matt

5 Colours / 1 Finish / 1 Size

Eternal 55 Chevron is an eco-designed composition, utterly free from PVC, plasticizers, phthalates and halogens; it contributes to clean and healthy indoor air. Primarily developed for commercial environments; however, this non-PVC solution is also suitable for homes.



Floor: EVET 5516 Chevron Matt



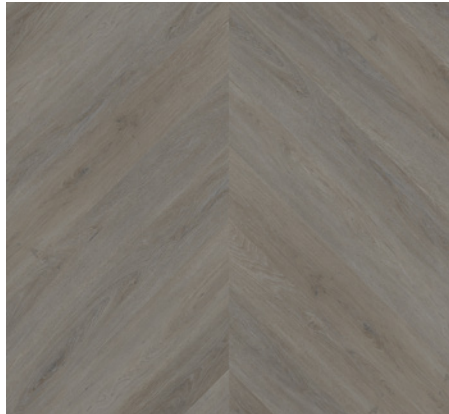
Floor: EVET 5512 Chevron Matt



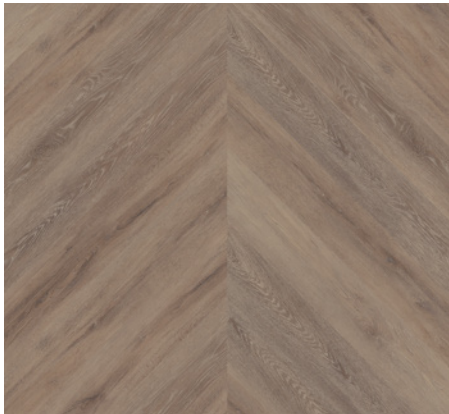
Floor: EVET 5503 Chevron Matt



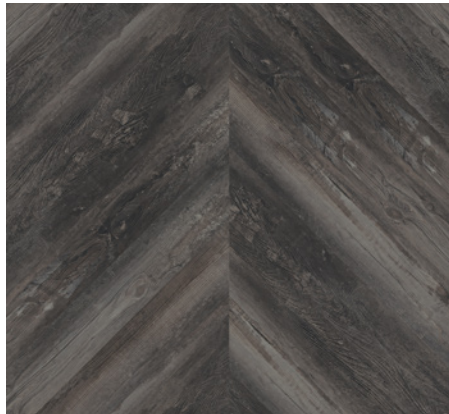
EVET 5503 Chevron



EVET 5512 Chevron



EVET 5516 Chevron

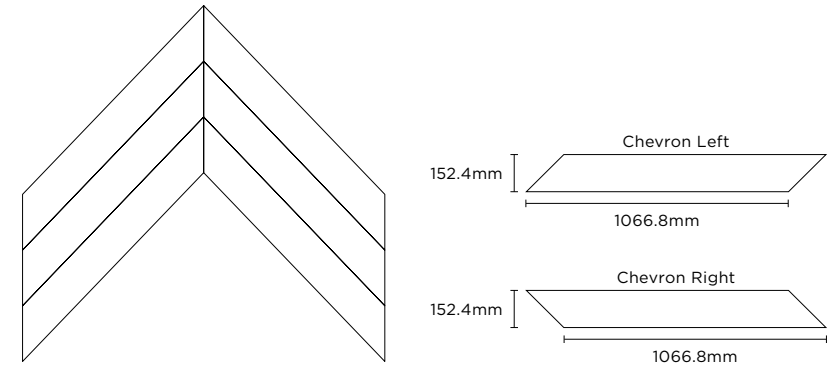


EVET 5520 Chevron



EVET 5510 Chevron

Sizes



	Size (mm)	Thickness	Finish	Colour Availability
1	Dryback 152.4 x 1066.8	2.5	Matt	All colours

Swatch colours may vary from original. Samples should be requested.

Specification

Format:	Chevron 45°
Treatment:	PUR Ecoprotec™
Texture:	Registered Embossed
Edge Detail:	4-way bevel
Sustainability:	100% phthalate-free. Low VOC. 100% recyclable
Durability:	Class 23 Domestic Class 33 Commercial Class 42 Industrial
Application:	Internal use only. Suitable with underfloor heating
Installation:	Recommended for bonded installation

DOMUS

service@domusgroup.com | t: 020 8481 9567 | domusgroup.com

Eternal 55 Chevron

Technical Data

PERFORMANCE & DURABILITY

Technical Characteristics	Industry Standard	Performance
Product Standard	EN ISO 10582	Heterogeneous resilient floor covering
Total Thickness	EN ISO 24346	2.5mm
Wear Layer Thickness	EN ISO 24340	0.55mm
Classification	EN ISO 10874	Domestic: 23 Commercial: 33 Industrial: 42
Total Weight	EN ISO 23997	4.750g/m ²
Wear Layer Binder Content	EN 10582	Type I
Abrasion Group	EN 660-2	Group T: ≤ 2.00mm ³
Packing	EN ISO 24342	16 planks/box = 2.60m ² 66 boxes/pallet = 171.60m ²
Surface Treatment		PUR Ecoprotec™
Locking System		N/A
TVOC After 28 Days Indoor Air Quality	ISO 16000-9	≤ 100µg/m ³ (AgBB test)
VOC Emission Class	ISO 16000-9	A+ (French Regulation)
Floorscore VOC Test Indoor Air Quality	ISO 16000-9	Passed
Plasticizer		Phthalate-free
Formaldehyde Group	EN 717-1	E1
Recyclability		100%

PERFORMANCE & DURABILITY

Technical Characteristics	Industry Standard	Performance
Dimensional Stability	EN ISO 23999	≤ 0.10%
Castor Chair	ISO 4918	No damage
Furniture Leg	EN ISO 16581	No damage
Squareness & Straightness	EN ISO 24342	≤ 0.25mm
Residual Indentation	EN ISO 24343-1	≤ 0.10mm
Impact Sound Reduction	EN ISO 717-2	ΔLw = 6dB
Light Fastness	EN ISO 105-B02	≥ 6
Slip Resistance	DIN 51130 EN 13893	R10 DS
Resistance to Chemicals	EN ISO 26987	Not affected (0)
Thermal Resistance	EN ISO 10456	0.02m ² K/W
Curl After Exposure to Heat	EN ISO 23999	≤ 2mm
Fire Resistance	EN 13501-1	Bfl-s1
Electrical Properties	EN 1815	≤ 2kV
Resistance Against Staining	EN 26987	Passed
Underfloor Heating Suitability	EN 12524	Compatible (max. 27°C)
Residential Warranty		25 years
Commercial Warranty		10 years
DoP Number		No. 21-SW-001

Compatible with underfloor heating systems subject to M50 installation advice available on request.

Test results are based upon current test data provided by the manufacturer and are provided in good faith. Domus Group Ltd. cannot be held responsible for any variation in the test data due to changes in manufacture or material characteristics. Please refer to Domus Group Ltd. Terms & Conditions of Sale, January 2024.



DOMUS

service@domusgroup.com | t: 020 8481 9567 | domusgroup.com