

Osso & Bottone

Porcelain Design



Floor: DTBN 04 Bottone L Matt

5 Colours / 1 Finish / 3 Sizes / 2 Formats

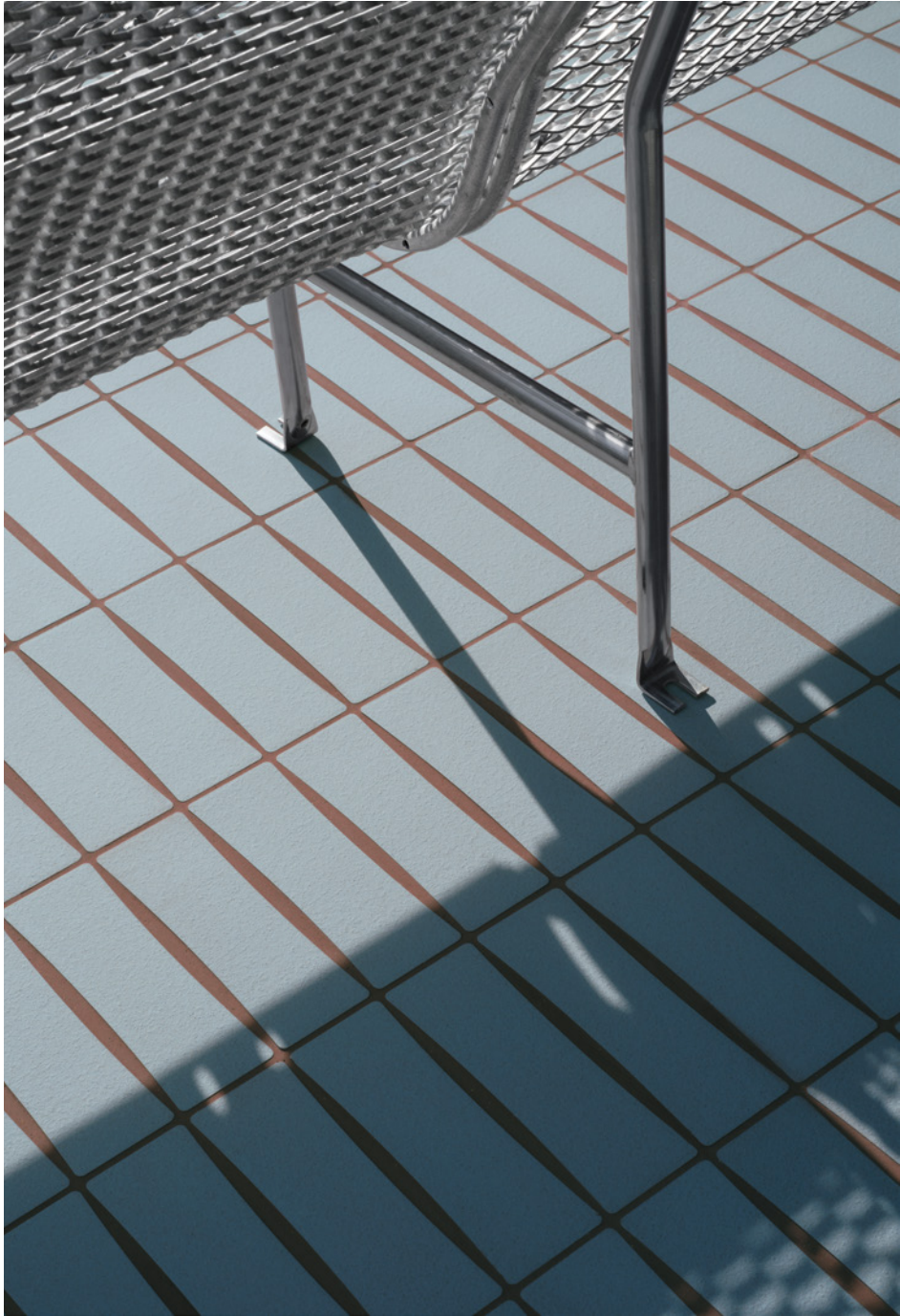
Osso & Bottone is a porcelain tile range featuring rectangular modules sculpted with distinctive edge cuts. These cuts form voids that reveal intricate patterns through the tile joints. As Mutina's first outdoor range, it blends seamlessly indoors and out.

Design Ronan Bouroullec

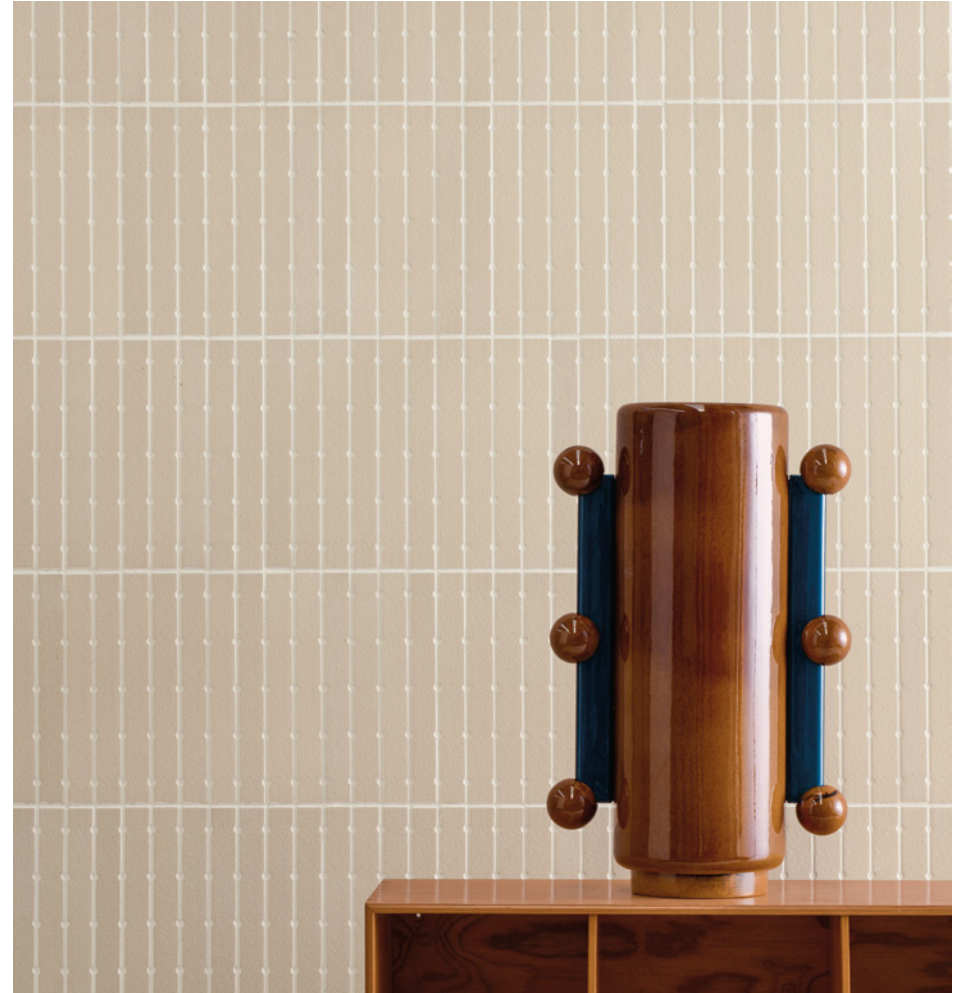
Mutina



Floor: DTON 03 Osso S Matt



Floor: DTON 02 Osso L Matt



Wall: DTBN 01 Bottone S Matt

Sizes



DTON 01 Osso S



DTON 02 Osso S



DTON 03 Osso S



DTON 04 Osso S



DTON 05 Osso S



DTON 01 Osso L



DTON 02 Osso L



DTON 03 Osso L



DTON 04 Osso L



DTON 05 Osso L



DTBN 01 Bottone S



DTBN 02 Bottone S



DTBN 03 Bottone S



DTBN 04 Bottone S



DTBN 05 Bottone S



DTBN 01 Bottone L



DTBN 02 Bottone L



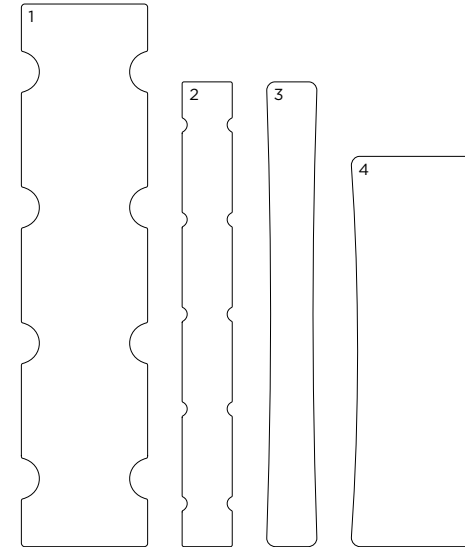
DTBN 03 Bottone L



DTBN 04 Bottone L

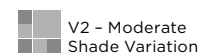


DTBN 05 Bottone L



	Size (mm)	Thickness	Finish	Colour Availability
1	Bottone L 321 x 75 (N)	10	Matt	All DTBN colours
2	Bottone S 275 x 30 (N)	10	Matt	All DTBN colours
3	Osso S 275 x 30 (N)	10	Matt	All DTON colours
4	Osso L 231 x 75 (N)	10	Matt	All DTON colours

(N) Nominal size - pressed edge. Swatch colours may vary from original. Samples should be requested.



Osso & Bottone

Technical Data

Product Type: Unglazed Porcelain (BS EN 14411 – Group BIa)

Use: Floors & Walls

Product Code: DTBN & DTON

Note: To obtain modularity of the pieces, a 4mm grout joint is recommended for this product and is **mandatory for DTBN**

For an even, smooth shading effect when laying, alternate material from several different boxes

DIMENSIONS

Osso L: 75 x 231 mm
Osso S: 30 x 275 mm
Bottone L: 75 x 321 mm
Bottone S: 30 x 275 mm

± 1.2 mm tolerance

SLIP RESISTANCE

Technical Characteristics	Industry Standards	Requirement	Finish
Areas with footwear	BS EN ISO 10545-17 (DIN 51130)	R11 from 19° to 27°	Matt
Areas with bare feet	DIN 51097	C over 24°	Matt
Slip resistance (Pendulum) Coefficient of friction	BS EN 16165	Test results upon request	

PRODUCT QUALITY & DURABILITY

Technical Characteristics	Industry Standards	Requirement	Actual Value
Water absorption	BS EN ISO 10545-3	≤ 0.5%	0.15% (typical value)
Modulus of rupture (bending strength)	BS EN ISO 10545-4	≥ 35 N/mm ²	Conforms
Breaking strength	BS EN ISO 10545-4	≥ 7.5mm ≥ 1300 N	Conforms
Thermal shock resistance	BS EN ISO 10545-9	No visible defects	Resistant
Frost resistance	BS EN ISO 10545-12	No surface alteration	Resistant
Chemical resistance: Low concentrations of acids & alkalis	BS EN ISO 10545-13	No visible defects	ULA
Domestic chemicals & additives for swimming pools	BS EN ISO 10545-13	UB/GB min.	UA
Stain resistance	BS EN ISO 10545-14	Declared value - unglazed	Class 5
Reaction to fire	Based on the decision 96/603/EC and its changes	A1 _{FL} /A1	A1 _{FL} /A1
Recycled content			0%

